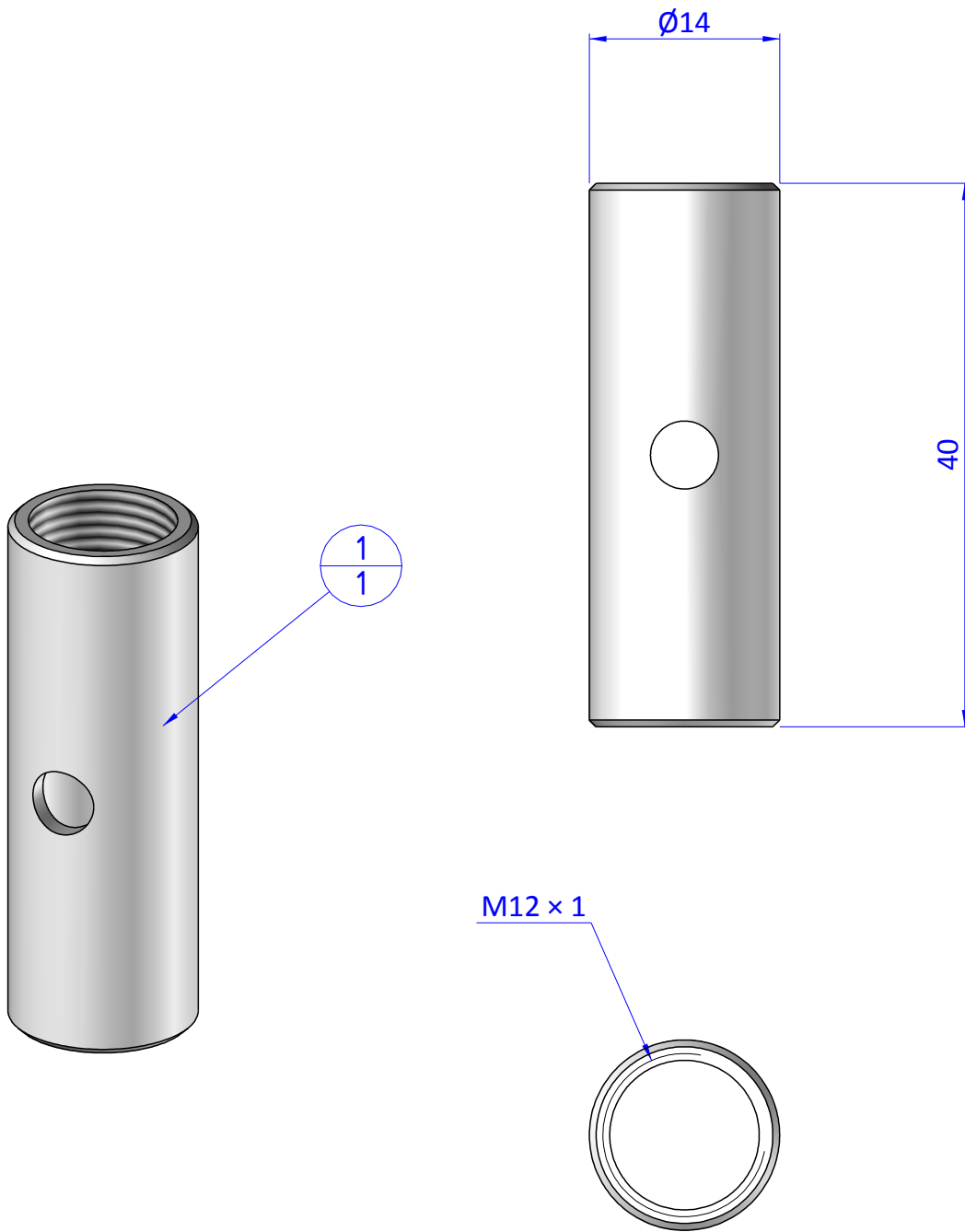


THE PROPERTY OF THE DRAWING IS ESTABLISHED BY LAW. IT IS FORBIDDEN TO PRODUCE OR SHOW IT TO THIRD PART. WITHOUT A WRITTEN AGREEMENT.

Item	Name	Q.ty
1	VLR.14.40	1



Format A4 UNI 936-76	FP SERVICES AUTOMATION			DESIGNED FROM FPSERVICES	REVIEW A
	GENERAL TOLERANCE UNI - ISO 2768 CLASSE f	DESCRIPTION CA.VLR.14.40		DATE 30/01/2019	WEIGHT 0,006kg
				CODE CA.VLR.14.40	CA.VLR.14.40